



CP122622 – New Autodesk Workflows for Inventor and Fusion 360 Interoperability

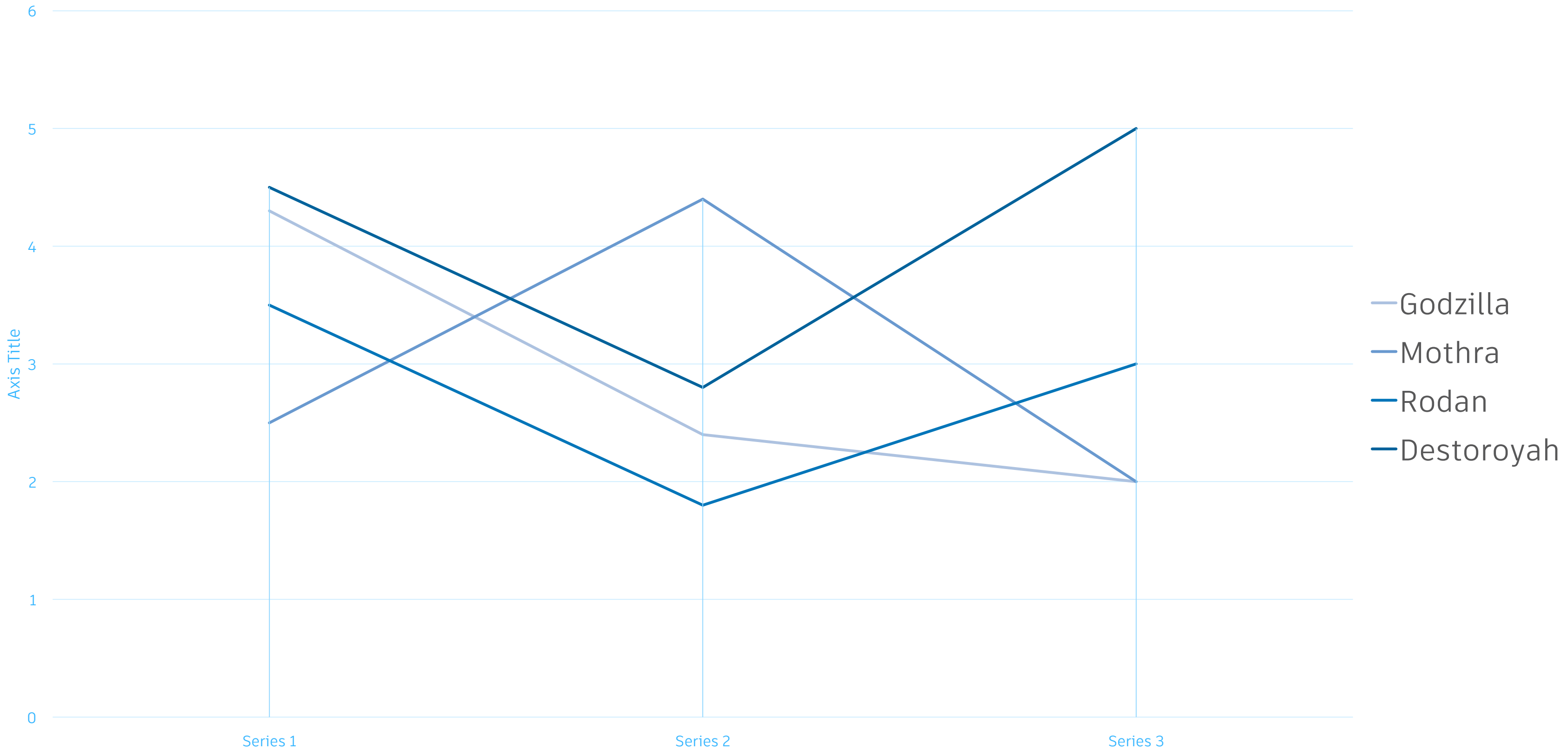
Jamie Scherer, Bankim Charegaonkar & Loren Welch

Join the conversation #AU2017

Introductions and Class overview

- Welcome and introductions [0:00 – 5:00]
- What is Fusion 360 & Inventor AnyCAD? [5:00 – 10:00]
- How does it work? [10:00 – 15:00]
- What Autodesk Tech is required? [15:00 - 25:00]
- Show me this magic in action! [25:00 - 45:00]
- Q&A

Gratuitous PowerPoint chart requirement

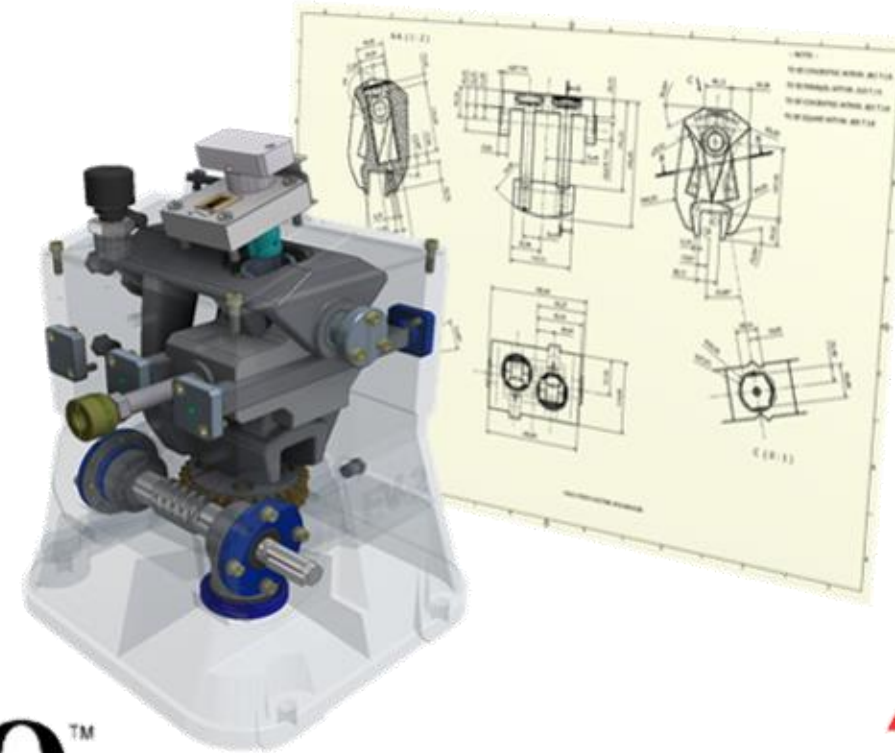




What is Fusion 360 & Inventor AnyCAD?

What is AnyCAD

- Inventor 2016
 - Initial formats
- Inventor 2017
 - STEP
 - Inventor
- Inventor 2018
 - Solid Edge
 - Fusion 360



What is Fusion 360 & Inventor AnyCAD

It is a BRIDGE between Fusion 360 & Inventor

- Associative link to .fusiondesign & .ipt files
 - Update notification
 - Pull update



Who is it for?

- PDMC & PrDS Subscribers
- Fusion360 Subscribers

*Inventor/Fusion 360 customers with Fusion Team
access and downloads Autodesk Desktop Connector*



AUTODESK® PRODUCT
DESIGN & MANUFACTURING
COLLECTION



AUTODESK® FUSION 360™

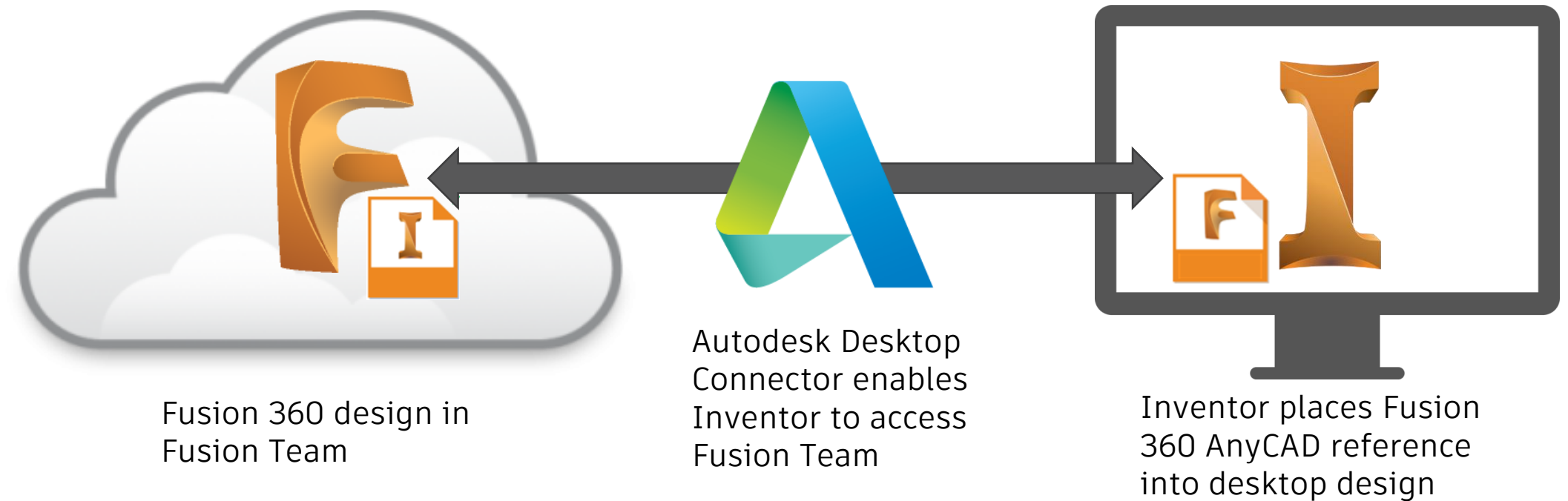




How does it work?

How does it work?

- Insert .fusiondesign into Inventor
 - Consume updates
- Insert .ipt into Fusion 360
 - Consume updates





What Autodesk Technology is required?

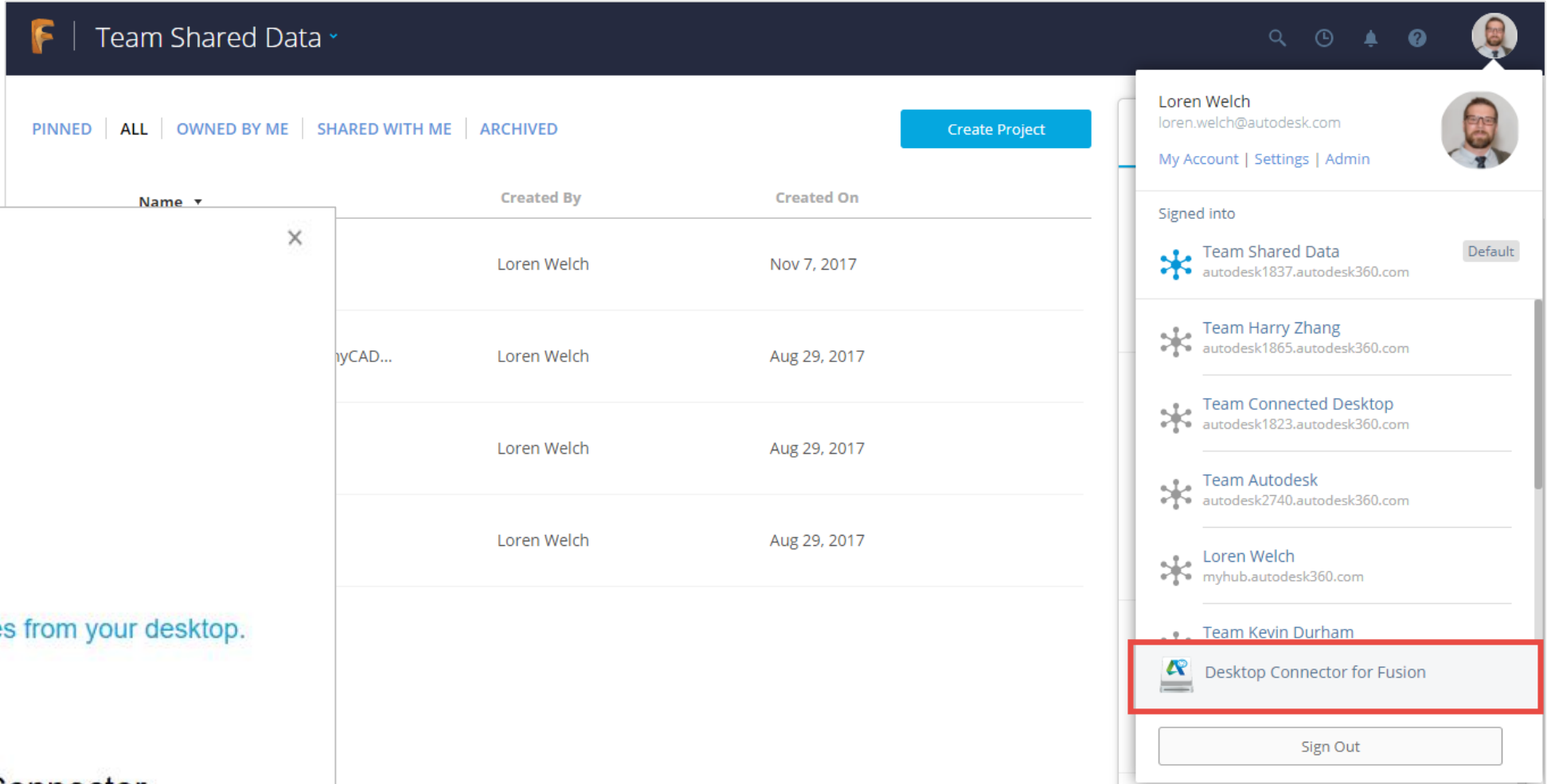
What Autodesk technology is required?

- Fusion 360
- Fusion Team
- Inventor 2018.2
- Autodesk Desktop Connector



Autodesk Desktop Connector

- Download from Fusion Team



The screenshot shows the Autodesk Fusion Team Shared Data interface. The main content area displays a table of shared data items:

Name	Created By	Created On
	Loren Welch	Nov 7, 2017
myCAD...	Loren Welch	Aug 29, 2017
	Loren Welch	Aug 29, 2017
	Loren Welch	Aug 29, 2017

The right sidebar shows the user profile for Loren Welch (loren.welch@autodesk.com) and a list of teams. The 'Desktop Connector for Fusion' team is highlighted with a red box.

Below the screenshot is a welcome message for the Desktop Connector:

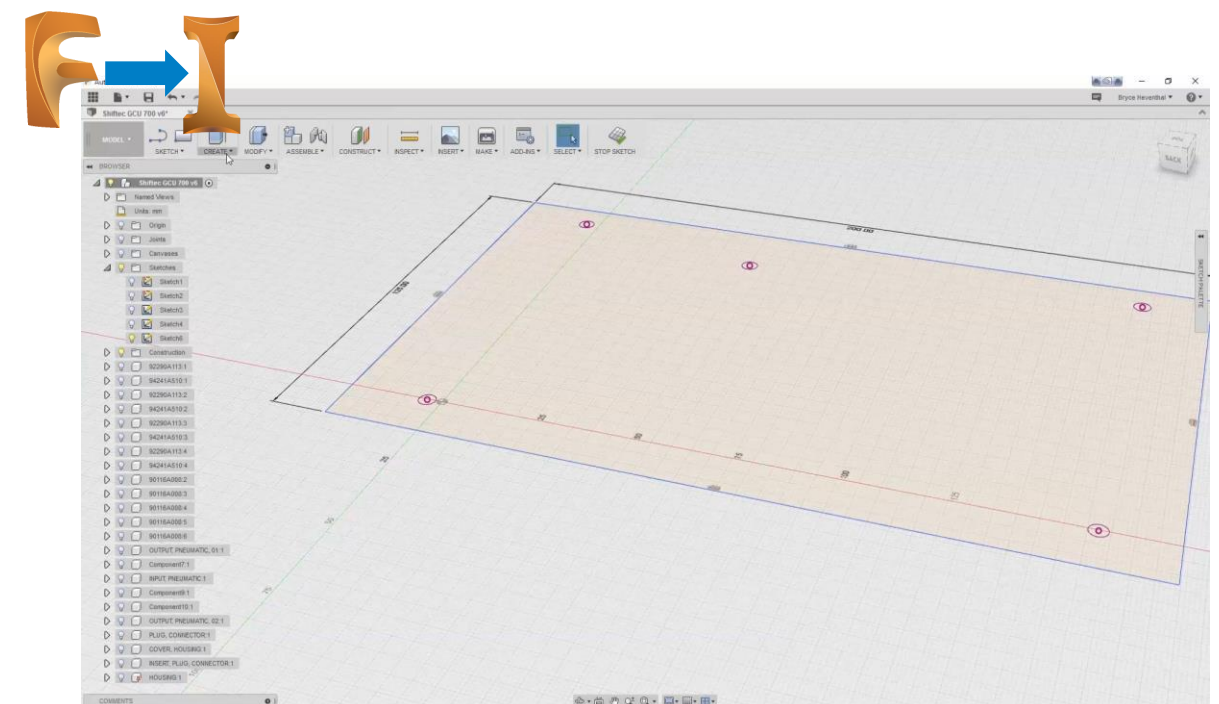
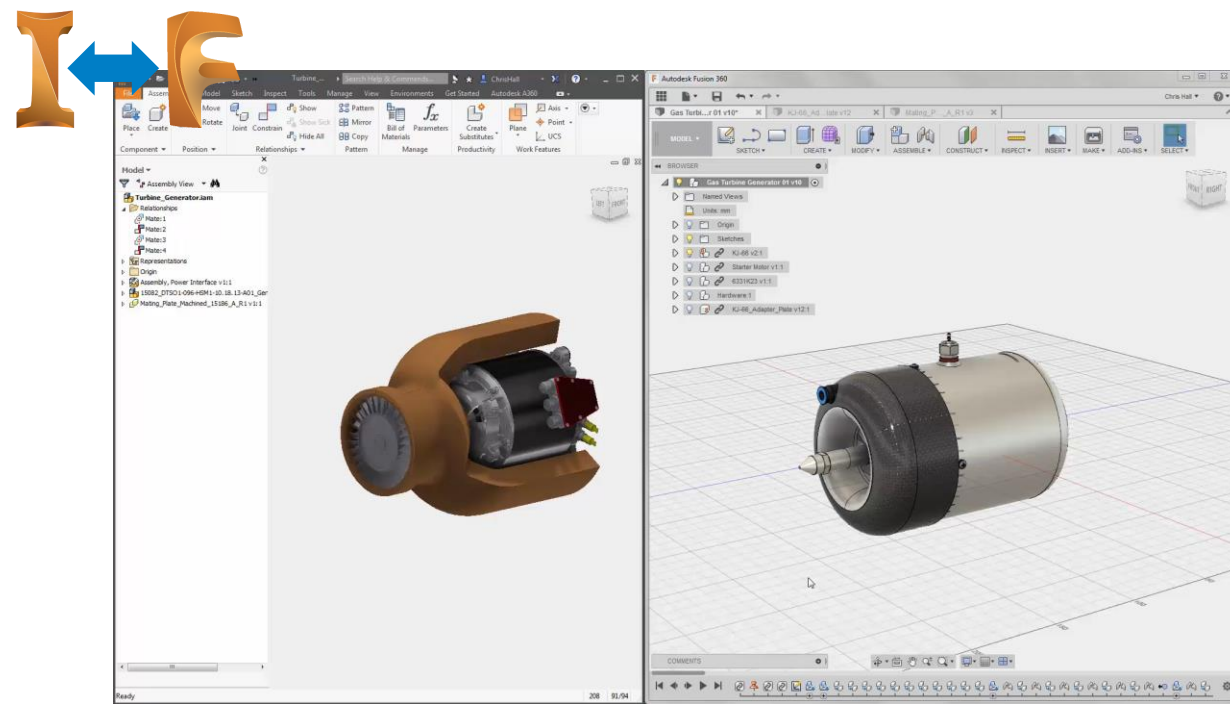
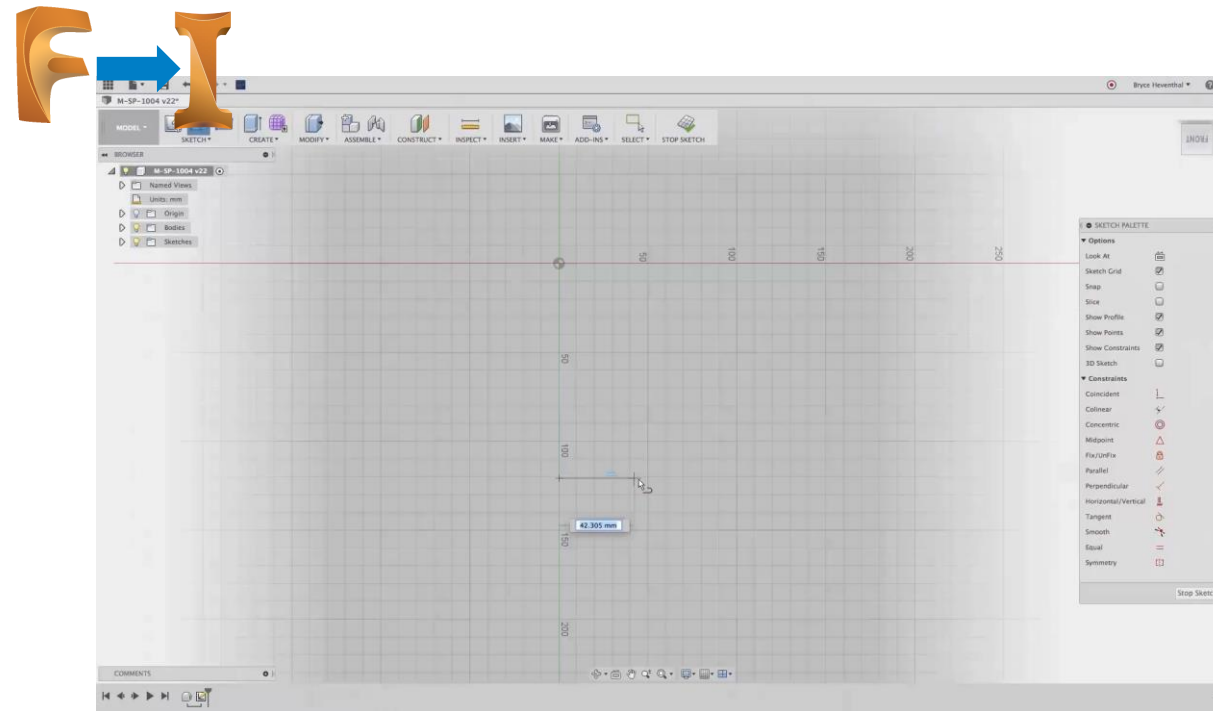
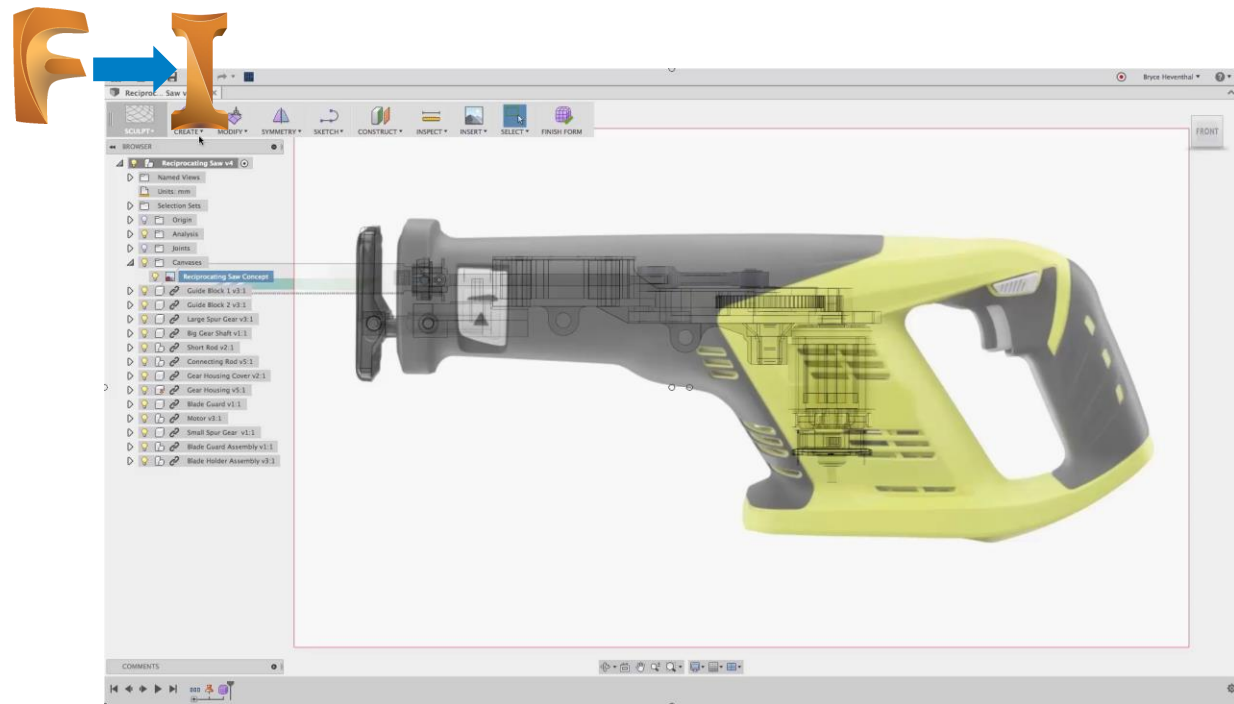
Welcome to Autodesk® Desktop Connector
Desktop Connector installed successfully.
You are only a click away from accessing your stuff.

Navigation icons: Home, Back, Forward, Refresh, Help.



Inventor & Fusion 360 AnyCAD in action.

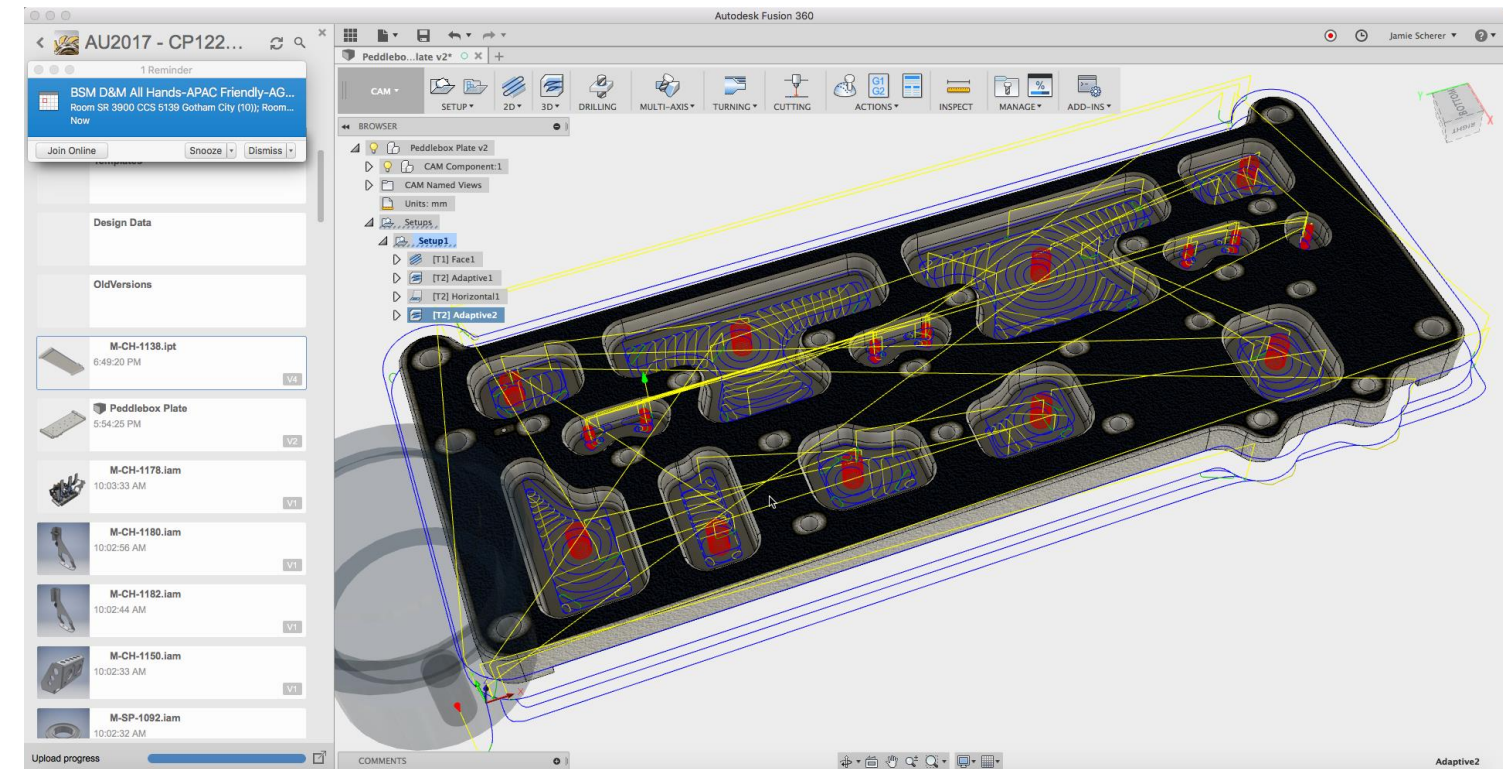
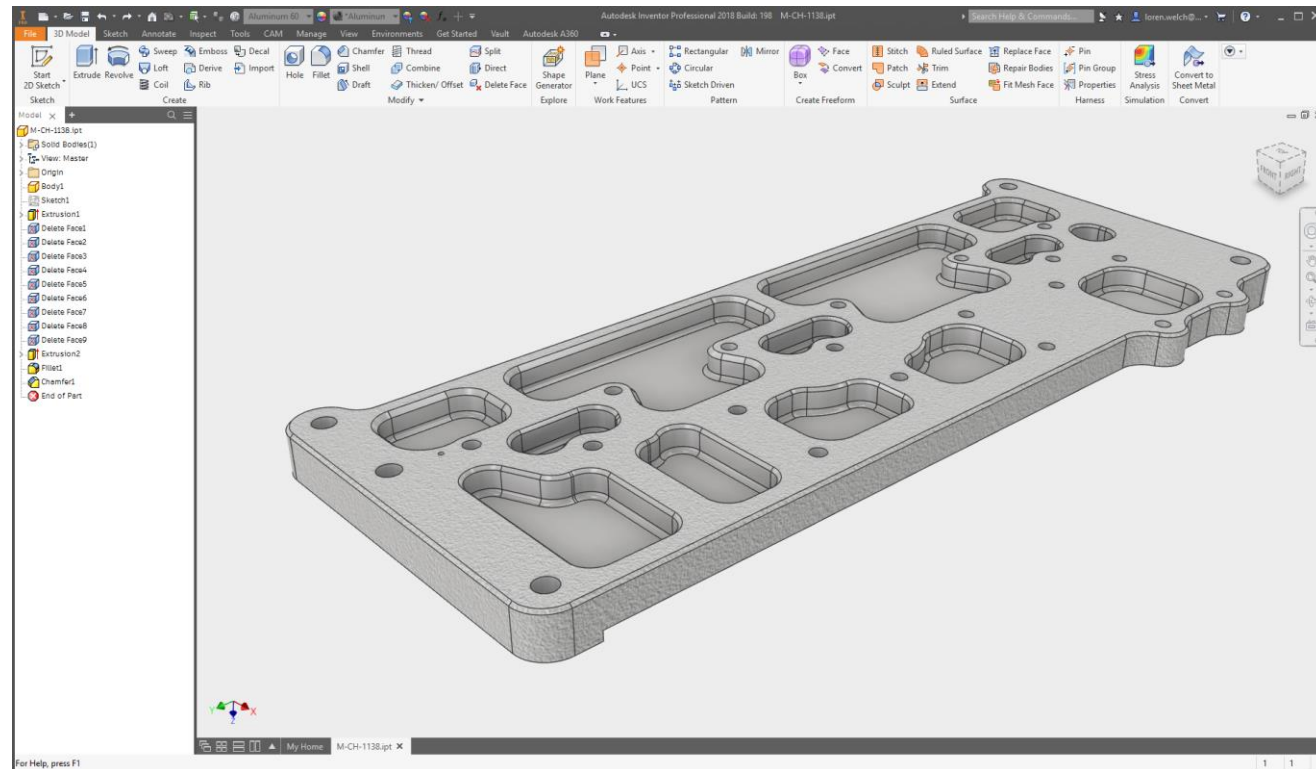
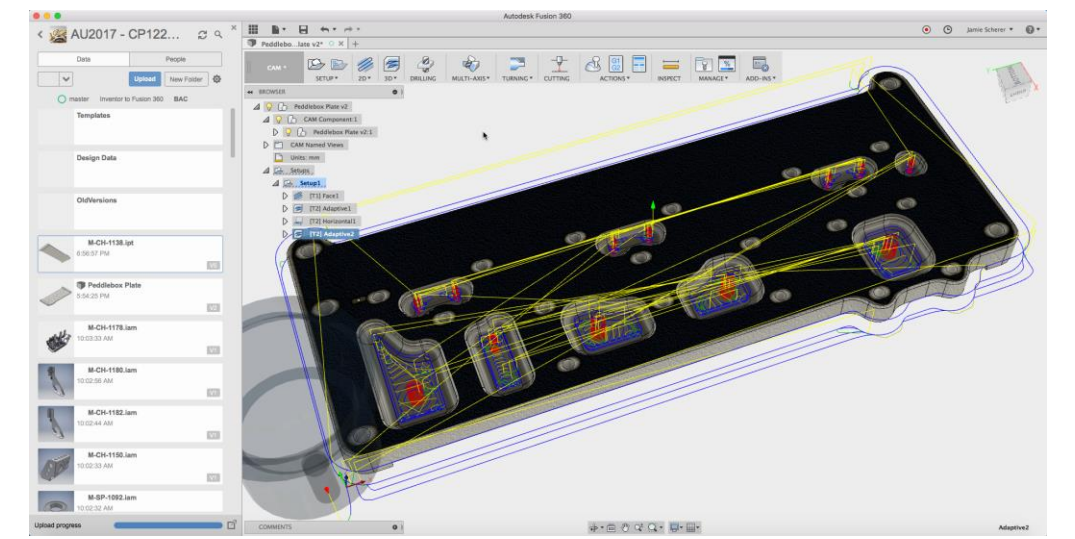
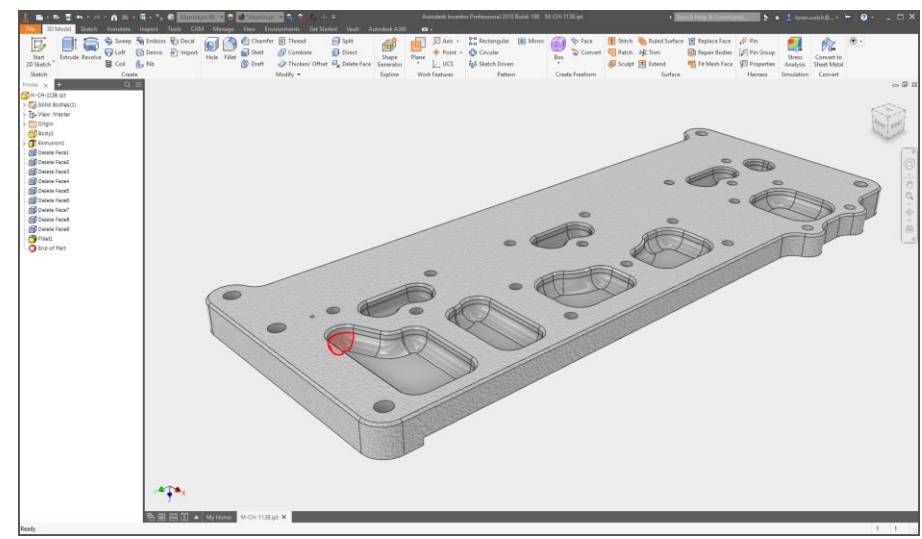
AnyCAD in action



AnyCAD in action

Supply Chain

- Inventor design
- Fusion 360 machine shop



AnyCAD in action

Concept Design

- Fusion 360 concept design
- Inventor assembly





Magical Performances

- ✘ Bi-directional
 - ✔ Works in either direction, but only one at a time
- ✘ Magic or the holy grail
 - ✔ Import Geometry to edit OR Reference to Consume Updates.
- ✘ Complete changes in Topology
 - ✔ Edits, Updates driven by FaceID



Q&A



Make anything.